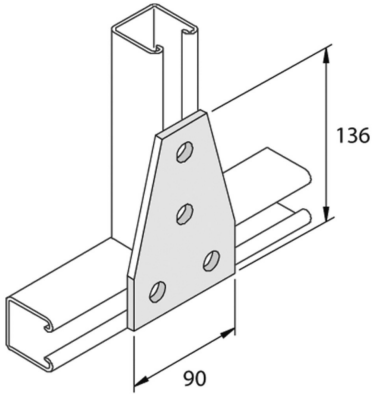


**P1358**  
**Fitting flat TR 4D14**



Reference	Finish	↕ mm	↔ mm	→  ← mm	↔ mm	kg/stk	📦	Unit
<b>P1358</b>	HD		136		90	0,480	10	STK
<b>P1358DF</b>	DF	136			90	0,480	10	STK

Abbreviation:  
- HG = Hot-Dip Galvanised

**Legend finish**  
- HD =  
- DF = Defender