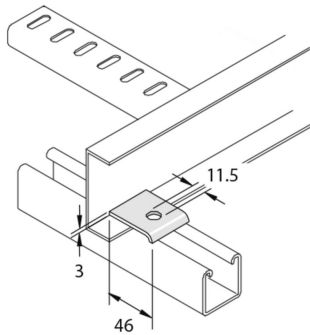


**P1386-S1**  
**J46 Profile clamp**



Reference	Finish	↕ mm	↔ mm	→  ← mm	↔ mm	kg/stk	📦	Unit
<b>P1386-S1</b>	ZP				46	0,044	20	STK

Abbreviation:  
- ZP = Zinc Plated

**Legend finish**  
- ZP = Zinc plated