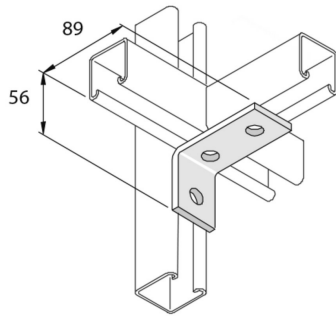


P1458
Fitting 90° angle L 3D14



Reference	Finish	mm	mm	mm	mm	kg/stk	Unit
P1458	HG	56	40		89	0,213	10 STK

Abbreviation:
- HG = Hot-Dip Galvanised

Legend finish
- HG = Hot-dip galvanised