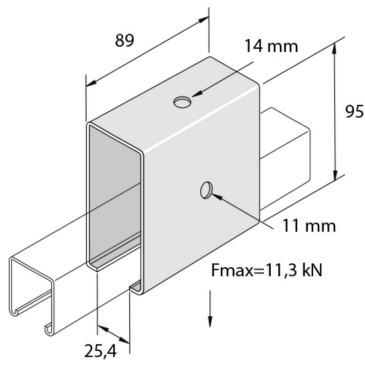


# P1834A

## Assembly accessory



Reference	Finish	↑ mm	↔ mm	→  ← mm	↔ mm	kg/stk	📦	Unit
<b>P1834A</b>	HG	95	41		89	1,058	1	STK

Abbreviation:  
- HG = Hot-Dip Galvanised

**Legend finish**  
- HG = Hot-dip galvanised