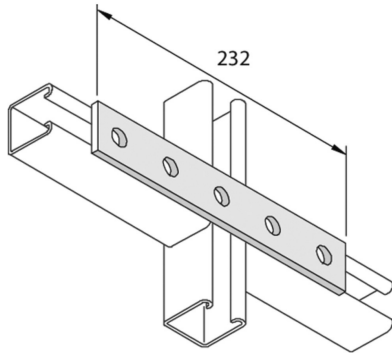


**P1941**  
**Fitting flat 5D14**



Reference	Finish	↕ mm	↔ mm	→  ← mm	↔ mm	kg/stk	📦	Unit
<b>P1941</b>	HG		40		232	0,364	20	STK

Abbreviation:  
- HG = Hot-Dip Galvanised

**Legend finish**  
- HG = Hot-dip galvanised