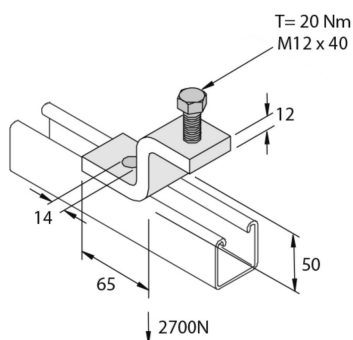


P1983

Z50 Clamp



Reference	Finish	↕ mm	↔ mm	→ ← mm	↔ mm	kg/stk	📦	Unit
P1983	HD	62	41	12,0	105	0,385	10	STK
P1983DF	DF	50	40			0,390	10	STK

Abbreviation:
- HG = Hot-Dip Galvanised

Legend finish
- HD =
- DF = Defender