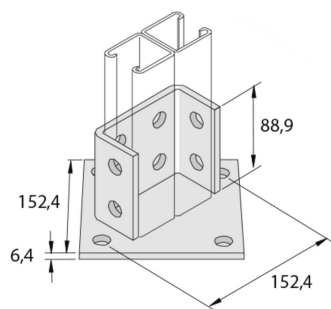


# P2073A

## Base plate 152 double profile 12D14



Reference	Finish	↕ mm	↔ mm	→  ← mm	↔ mm	kg/stk	📦	Unit
<b>P2073A</b>	HD	96	152		152	1,798	10	STK
<b>P2073ADF</b>	DF	95			152	1,798	10	STK

Abbreviation:  
- HG = Hot-Dip Galvanised

**Legend finish**  
- HD =  
- DF = Defender