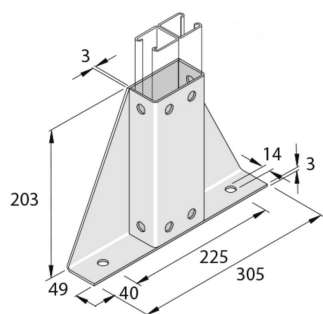


P2348-S2

Base plate TR305 double profile 10D14



Reference	Finish	↕ mm	↔ mm	→ ← mm	↔ mm	kg/stk	📦	Unit
P2348-S2	HD	203	49		305	2,145	1	STK
P2348-S2DF	DF	203			305	2,145	1	STK

Abbreviation:
- HG = Hot-Dip Galvanised

Legend finish
- HD =
- DF = Defender