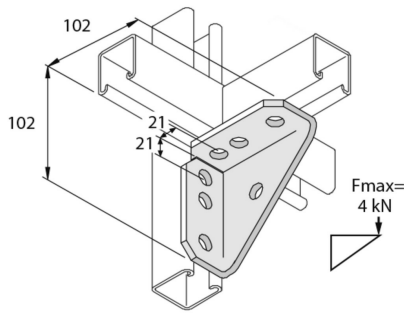


**P2484**  
Fitting 90° angle TR 7D14



Reference	Finish	↕ mm	↔ mm	→  ← mm	↔ mm	kg/stk	📦	Unit
<b>P2484</b>	HD	102	47		102	0,608	10	STK
<b>P2484DF</b>	DF	102	47		102	0,608	10	STK

**Legend finish**  
 - HD =  
 - DF = Defender