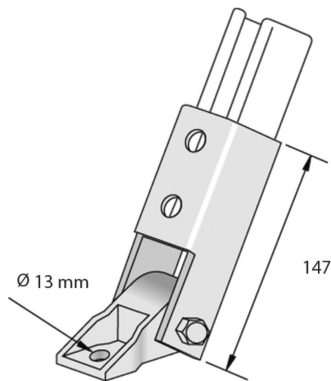


# P2815S

## Base plate variable angle



Reference	Finish	↕ mm	↔ mm	→  ← mm	↔ mm	kg/stk	📦	Unit
<b>P2815S</b>	ZP					1,528	10	STK

Abbreviation:  
- ZP = Zinc Plated

**Legend finish**  
- ZP = Zinc plated