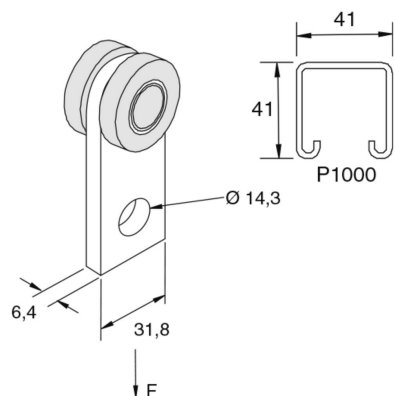


P2949

Channel trolley assembly



| Reference | Finish | ↕ mm | ↔ mm | → ← mm | ↔ mm | kg/stk | 📦 | Unit |
|--------------|--------|---------|---------|------------|---------|--------|----|------|
| P2949 | ZP | | | | 32 | 0,208 | 20 | STK |

mild steel

Abbreviation:
- ZP = Zinc Plated

Legend finish
- ZP = Zinc plated