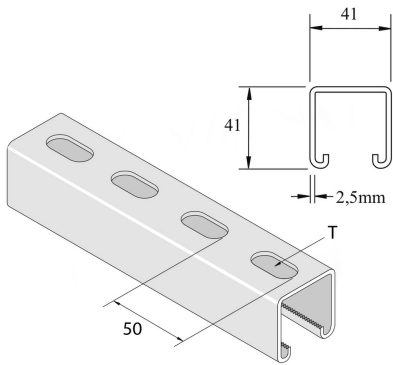


P1000T10

Assembly profile



Reference	Finish	↕ mm	↔ mm	→ ← mm	↔ mm	kg/m	📦	Unit
P1000T10X3	ZP	41	41	2,5	3000	2,685	3	M

T = 25x11mm

Abbreviation:

- PO = Plain Oil
- ZP = Zinc Plated
- HG = Hot-dip Galvanised
- DF = Defender

Legend finish

- ZP = Zinc plated