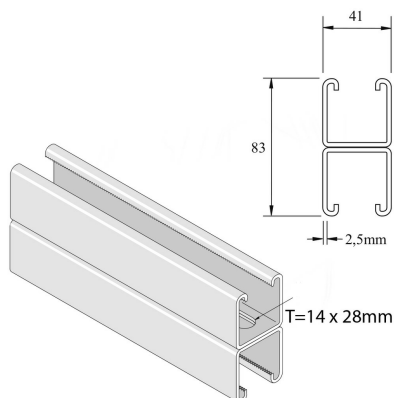


# P1001T

## Assembly profile



Reference	Finish	↑ mm	↔ mm	→  ← mm	↔ mm	kg/m		Unit
<b>P1001TP</b>	PO	83	41	2,5	6000	5,220	6	M
<b>P1001TPG</b>	ZP	83	41	2,5	6000	5,303	6	M
<b>P1001TDF</b>	DF	83	41	2,5	6000	5,303	6	M
<b>P1001TPGX3</b>	ZP	83	41	2,5	3000	5,303	3	M
<b>P1001TDFX3</b>	DF	83	41	2,5	3000	5,303	3	M

**Abbreviation:**

- PO = Plain Oil
- ZP = Zinc Plated
- HG = Hot-Dip Galvanised
- DF = Defender

**Legend finish**

- PO = Plain oil
- ZP = Zinc plated
- DF = Defender