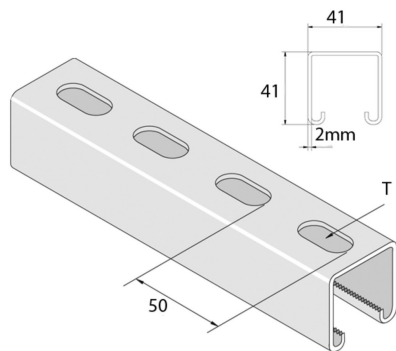


P1100T

Assembly profile



| Reference | Finish | ↕ mm | ↔ mm | → ← mm | ↔ mm | kg/m | 📦 | Unit |
|-----------------|--------|---------|---------|------------|---------|-------|---|------|
| P1100T | ZP | 41 | 41 | 2 | 6000 | 2,110 | 6 | M |
| P1100TH | HG | 41 | 41 | 2 | 6000 | 2,110 | 6 | M |
| P1100TX3 | ZP | 41 | 41 | 2 | 3000 | 2,184 | 3 | M |

Abbreviation:

- ZP = Zinc Plated
- HG = Hot-Dip Galvanised

Legend finish

- ZP = Zinc plated
- HG = Hot-dip galvanised