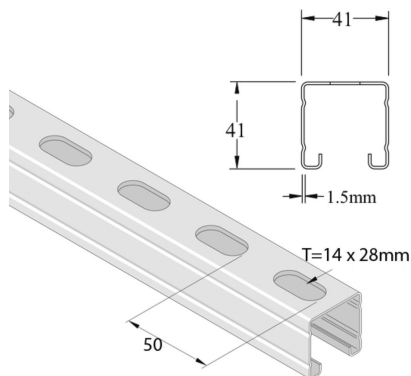


P2000T

Assembly profile



Reference	Finish	↕ mm	↔ mm	→ ← mm	↔ mm	kg/m	📦	Unit
P2000TP	-	41	41	1,5	6000	1,593	300	M
P2000TPX3	-	41	41	1,5	3000	1,593	150	M
P2000T	PG	41	41	1,5	6000	1,635	6	M
P2000TH	-	41	41	1,5	6000	1,720	900	M
P2000TX3	PG	41	41	1,5	3000	1,720	3	M
P2000THX3	-	41	41	1,5	3000	1,720	900	M

Abbreviation:
- ZP = Zinc Plated

Legend finish
- PG = Pregalvanised