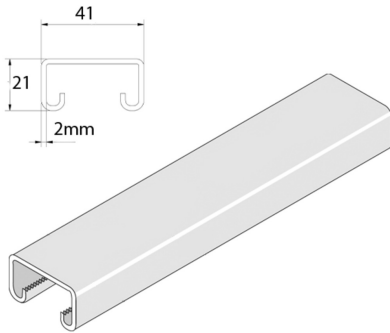


P3100

Assembly profile



| Reference | Finish | ↑ mm | ↔ mm | → ← mm | ↔ mm | kg/m | 📦 | Unit |
|---------------|--------|---------|---------|------------|---------|-------|---|------|
| P3100P | PO | 21 | 41 | 2,0 | 6000 | 1,646 | 6 | M |

Abbreviation:

- PO = Plain Oil
- ZP = Zinc Plated
- HG = Hot-Dip Galvanised

Legend finish

- PO = Plain oil