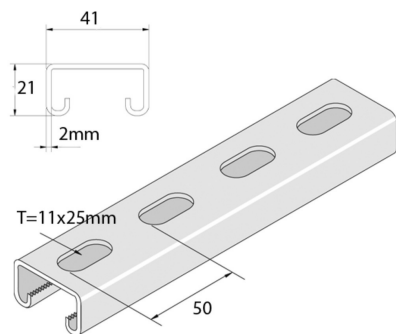


P3100T10

Assembly profile



Reference	Finish	↕ mm	↔ mm	→ ← mm	↔ mm	kg/m	📦	Unit
P3100T10	ZP	21	41	2	6000	1,531	6	M
P3100TH10	HG	21	41	2	6000	1,531	6	M
P3100T10X2	ZP	21	41	2	3000	1,531	2	M
P3100T10X3	ZP	21	41	2	3000	1,408	3	M

Abbreviation:

- PO = Plain Oil
- ZP = Zinc Plated
- HG = Hot-Dip Galvanised

Legend finish

- ZP = Zinc plated
- HG = Hot-dip galvanised