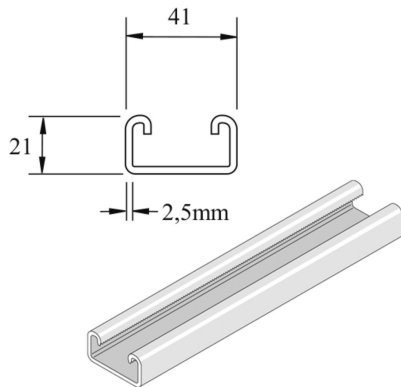


P3300

Assembly profile



Reference	Finish	↑ mm	↔ mm	→ ← mm	↔ mm	kg/m	📦	Unit
P3300P	PO	21	41	2,5	6000	1,823	6	M
P3300PX3	-	21	41	2,5	3000	1,823	150	M
P3300	ZP	21	41	2,5	6000	1,852	6	M
P3300X3	ZP	21	41	2,5	3000	1,910	3	M
P3300H	HG	21	41	2,5	6000	1,910	6	M
P3300HX3000	-	21	41	2,5	3000	1,910	660	M

Abbreviation:

- PO = Plain Oil
- ZP = Zinc Plated
- HG = Hot-Dip Galvanised

Legend finish

- PO = Plain oil
- ZP = Zinc plated
- HG = Hot-dip galvanised