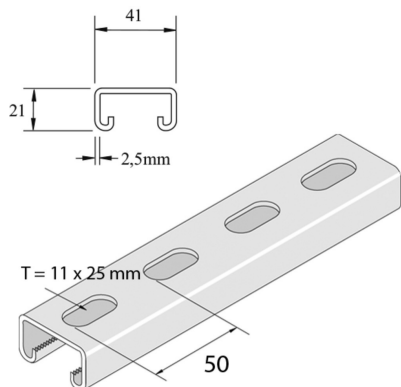


P3300T10

Assembly profile



Reference	Finish	↑ mm	↔ mm	→ ← mm	↔ mm	kg/m	📦	Unit
P3300TP10	PO	21	41	2,5	6000	1,680	6	M
P3300T10	ZP	21	41	2,5	6000	1,706	6	M
P3300T10DF	DF	21	41	2,5	6000	1,706	6	M
P3300TP10X3	PO	21	41	2,5	3000	1,679	3	M
P3300T10X3	ZP	21	41	2,5	3000	1,760	3	M
P3300T10X2000	ZP	21	41	2,5	2000	1,570	2	M
P3300T10DFX3	DF	21	41	2,5	3000	1,706	3	M
P3300TH10X3	HG	21	41	2,5	3000	1,760	3	M

Abbreviation:

- PO = Plain Oil
- ZP = Zinc Plated
- HG = Hot-Dip Galvanised
- DF = Defender

Legend finish

- PO = Plain oil
- ZP = Zinc plated
- DF = Defender
- HG = Hot-dip galvanised