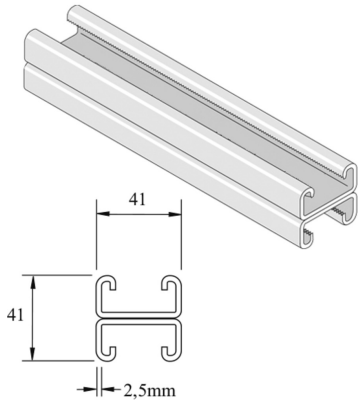


# P3301

## Assembly profile



Reference	Finish	↕ mm	↔ mm	→  ← mm	↔ mm	kg/m	📦	Unit
<b>P3301</b>	HG	41	41	2,5	6000	3,760	6	M
<b>P3301TDF</b>	DF	41	41	2,5	6000	3,530	150	M

**Abbreviation:**

- ZP = Zinc Plated
- HG = Hot-Dip Galvanised
- DF = Defender

**Legend finish**

- HG = Hot-dip galvanised
- DF = Defender