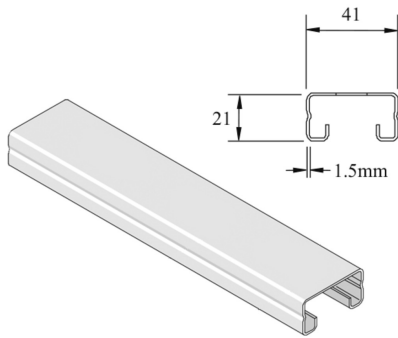


P4000

Assembly profile



Reference	Finish	↑ mm	↔ mm	→ ← mm	↔ mm	kg/m	📦	Unit
P4000	ZP	21	41	1,5	6000	1,242	6	M

Abbreviation:
- ZP = Zinc Plated

Legend finish
- ZP = Zinc plated