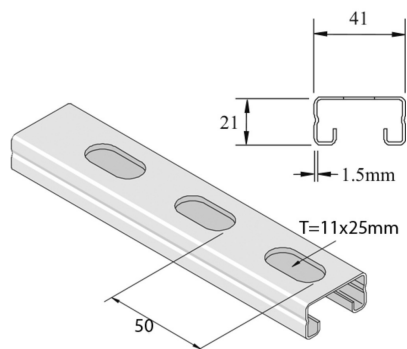


# P4000T10

## Assembly profile



Reference	Finish	↕ mm	↔ mm	→  ← mm	↔ mm	kg/m	📦	Unit
<b>P4000T10</b>	ZP	21	41	1,5	6000	1,103	6	M
<b>P4000T10X2</b>	ZP	21	41	1,5	2000	1,103	2	M
<b>P4000T10X3</b>	ZP	21	41	1,5	3000	1,160	3	M

Abbreviation:  
- ZP = Zinc Plated

**Legend finish**  
- ZP = Zinc plated