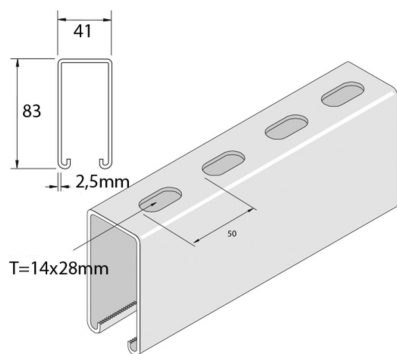


P5000T

Assembly profile



Reference	Finish	↕ mm	↔ mm	→ ← mm	↔ mm	kg/m	📦	Unit
P5000T	ZP	83	41	2,5	6000	3,926	6	M
P5000TX3	-	83	41	2,5	3000	3,926	60	M
P5000TH	HG	83	41	2,5	6000	4,050	6	M

Abbreviation:

- PO = Plain Oil
- ZP = Zinc Plated
- HG = Hot-Dip Galvanised

Legend finish

- ZP = Zinc plated
- HG = Hot-dip galvanised