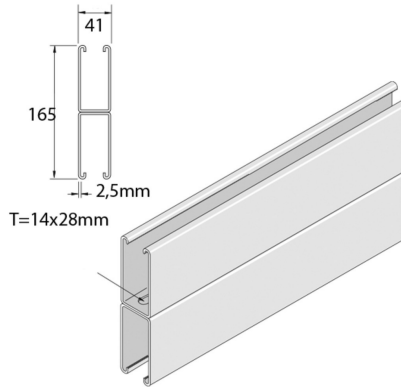


# P5001T

## Assembly profile



Reference	↑ mm	↔ mm	→  ← mm	↔ mm	kg/m	📦	Unit
<b>P5001TH</b>	165	41	2,5	6000	8,110	240	M

Abbreviation:  
- HG = Hot-Dip Galvanised