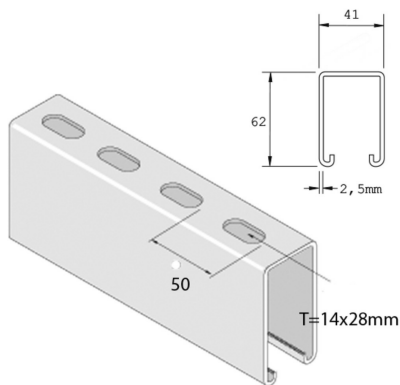


# P5500T

## Assembly profile



Reference	Finish	↕ mm	↔ mm	→  ← mm	↔ mm	kg/m	📦	Unit
<b>P5500T</b>	PG	62	41	2,5	6000	3,490	6	M
<b>P5500TDF</b>	DF	62	41	2,5	6000	3,490	6	M
<b>P5500TX3000</b>	PG	62	41	2,5	3000	3,490	3	M
<b>P5500TDFX3</b>	DF	62	41	2,5	3000	3,490	3	M

Abbreviation:  
 - ZP = Zinc Plated  
 - DF = Defender

**Legend finish**  
 - PG = Pregalvanised  
 - DF = Defender