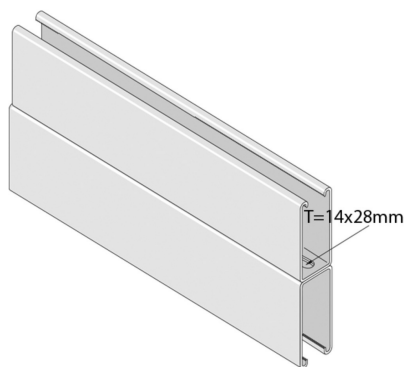


P5501T

Assembly profile



Reference	Finish	↕ mm	↔ mm	→ ← mm	↔ mm	kg/m	📦	Unit
P5001TPG	ZP	124	41	2,5	6000	8,497	6	M
P5501TH	HG	124	41	2,5	6000	7,210	6	M
P5501TPG	ZP	124	41	2,5	6000	6,990	6	M

Abbreviation:

- ZP = Zinc Plated
- HG = Hot-Dip Galvanised

Legend finish

- ZP = Zinc plated
- HG = Hot-dip galvanised