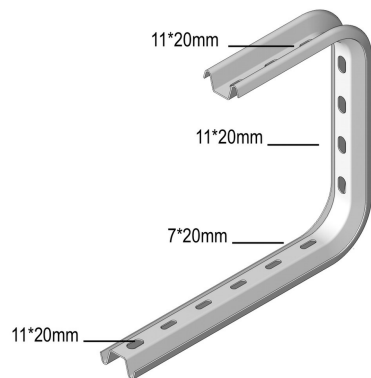


I4COMEGA290

Open suspension bracket



Useful for direct mounting to the ceiling or with threaded rod I6TIM 8 or I6TIM10.

| | Max. load (in daN) |
|-----|--------------------|
| 100 | 70 |
| 150 | 60 |
| 200 | 60 |
| 300 | 50 |
| 400 | 50 |

| Reference | ↕ mm | ↔ mm | → ← mm | ↔ mm | kg/stk | 📦 | Unit |
|------------------------|---------|---------|------------|---------|--------|----|------|
| I4COMEGA290.100 | 290 | 145 | | | 0,520 | 12 | STK |
| I4COMEGA290.150 | 290 | 195 | | | 0,560 | 12 | STK |
| I4COMEGA290.200 | 290 | 245 | | | 0,620 | 12 | STK |
| I4COMEGA290.300 | 290 | 345 | | | 0,820 | 6 | STK |
| I4COMEGA290.400 | 290 | 445 | | | 0,930 | 6 | STK |

Fixing of the cable tray by I6VM6.20. Use the I4VOMEGA to avoid compression of the profile.

Pickled and passivated.