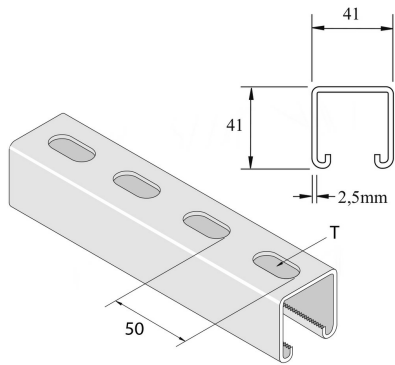


## P1000TSP

### Assembly profile



Reference	↕ mm	↔ mm	→  ← mm	↔ mm	kg/m	📦	Unit
<b>P1000TSP</b>	41	41	2,5	6000	2,657	300	M
<b>P1000TSPX3000</b>	41	41	2,5	3000	2,657	150	M

Pickled and passivated. Stainless steel 316.