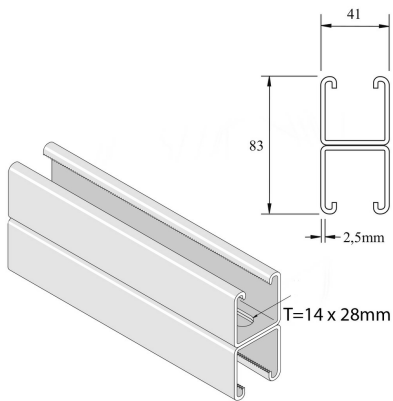


P1001TSP

Assembly profile



Reference	↑ mm	↔ mm	→ ← mm	↔ mm	kg/m	📦	Unit
P1001TSP	83	41	2,5	6000	5,357	150	M
P1001TSPPX3	82	41	2,5	3000	5,324	3	M

Pickled and passivated. Stainless steel 316.