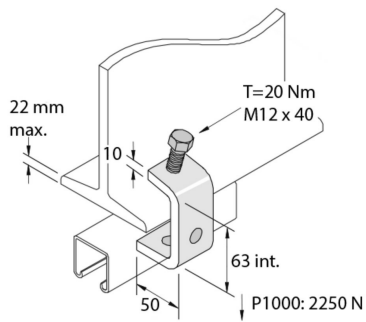


**P1271SS**  
**I-beam clamp C63**



Reference	↕ mm	↔ mm	→  ← mm	↔ mm	kg/stk	📦	Unit
<b>P1271SS</b>	63	40		50	0,431	10	STK