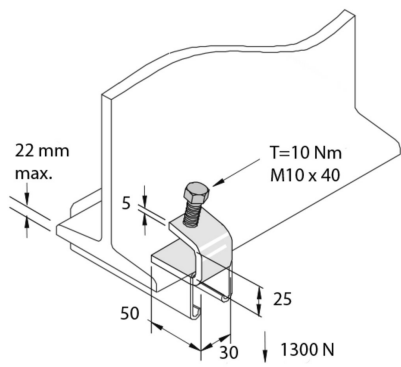


# P1272SS

## I-beam clamp C25



Reference	↕ mm	↔ mm	→  ← mm	↔ mm	kg/stk	📦	Unit
<b>P1272SS</b>	25	30		50	0,123	20	STK