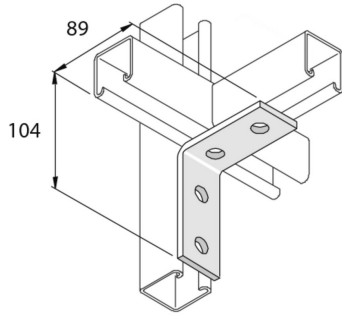


**P1325SS**  
Fitting 90° angle L 4D14



Reference	↕ mm	↔ mm	→  ← mm	↔ mm	kg/stk	📦	Unit
<b>P1325SS</b>	89	40		104	0,297	10	STK