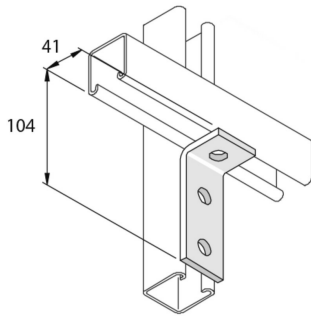


P1326SS
Fitting 90° angle L 2D14



Reference	↕ mm	↔ mm	→ ← mm	↔ mm	kg/stk	📦	Unit
P1326SS	41	40		104	0,219	20	STK