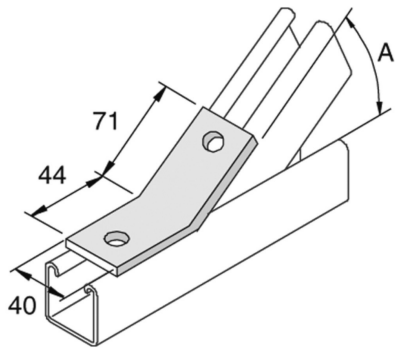


**P1546SS**  
Fitting angle 45° 2D14



| Reference      | ↕<br>mm | ↔<br>mm | →  ←<br>mm | ↔<br>mm | kg/stk | 📦  | Unit |
|----------------|---------|---------|------------|---------|--------|----|------|
| <b>P1546SS</b> |         | 40      |            |         | 0,194  | 10 | STK  |