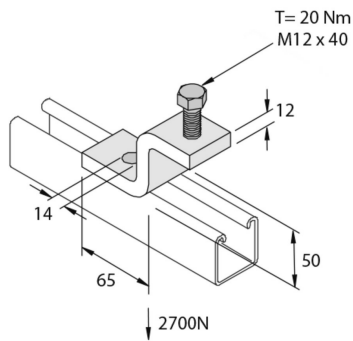


**P1983SS**  
**Z50 Clamp**



Reference	↕ mm	↔ mm	→  ← mm	↔ mm	kg/stk	📦	Unit
<b>P1983SS</b>	50	40			0,389	10	STK