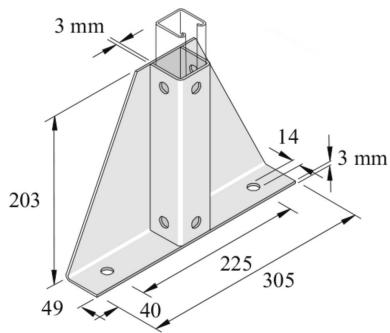


# P2348S1SPP

## Assembly accessory



Reference	↕ mm	↔ mm	→  ← mm	↔ mm	kg/stk	📦	Unit
<b>P2348S1SPP</b>	203	49		305	1,915	1	STK

Pickled and passivated.