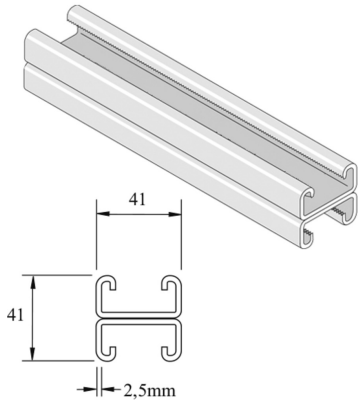


P3301SPP

Assembly profile



Reference	↕ mm	↔ mm	→ ← mm	↔ mm	kg/m	📦	Unit
P3301SPP	41	41	2,5	6000	3,916	6	M
P3301SPPX3000	41	41	2,5	3000	3,792	3	M

Pickled and passivated. Stainless steel 316.