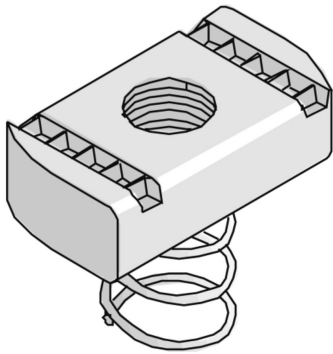


PNS SS

Sliding nut for supporting profile



Reference	↕ mm	↔ mm	→ ← mm	↔ mm	kg/stk	📦	Unit
PNS06SS			M6		0,028	100	STK
PNS08SS			M8		0,029	100	STK
PNS10SS			M10		0,038	100	STK
PNS12ASS			M12		0,036	100	STK