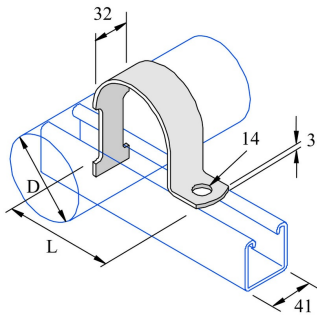


SS2

SS2 Pipe Clamp



Reference	↕ mm	↔ mm	→ ← mm	↔ mm	kg/stk	📦	Unit
SS2/CSS		32		81	0,084	20	STK
SS2/ESS		32		96	0,113	10	STK
SS2/FSS		32		96	0,137	10	STK