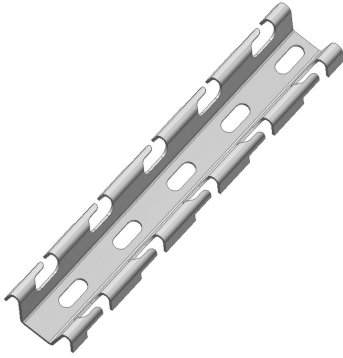


MPVFCL

Profile for VFU(L)



Standard finish		Pre-galvanised							
Optional finish		Hot-dip galvanised							
HD	Reference	↕ mm	↔ mm	→ ← mm	↔ mm	kg/m	📦	Stock	Unit
HD	MPVFCL3000	27	55		3000	1,009	30		M

Do not use with: VFUL30.065, VFUL35.150, VFU35.150, VFUL 60.050

