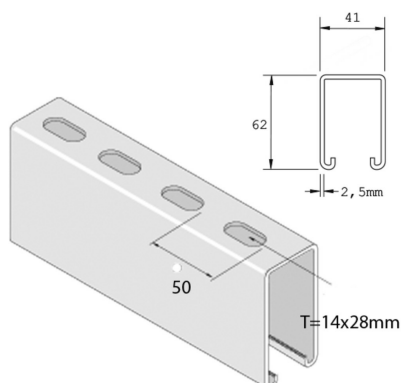


P5500T

Rail de montage



| Exec. Std. | | Sendzimir | | | | | | | |
|------------|--------------------|----------------------|---------|------------|---------|-------|----|---------|-------|
| Mat. Opt. | | Revêtement en poudre | | | | | | | |
| HD | Référence | ↕ mm | ↔ mm | → ← mm | ↔ mm | kg/m | 📦 | Magasin | Unité |
| - | P5500T | 62 | 41 | 2,5 | 6000 | 3,600 | 6 | X | M |
| - | P5500TDF | 62 | 41 | 2,5 | 6000 | 3,490 | 6 | | M |
| - | P5500TX3000 | 62 | 41 | 2,5 | 3000 | 3,600 | 3 | | M |
| - | P5500TDFX3 | 62 | 41 | 2,5 | 3000 | 3,490 | 3 | | M |
| - | P5500THX3 | 62 | 41 | 2,5 | 3000 | 3,600 | 90 | | M |

Abbréviation:
 - ZP = Galvanisé
 - DF = Defender