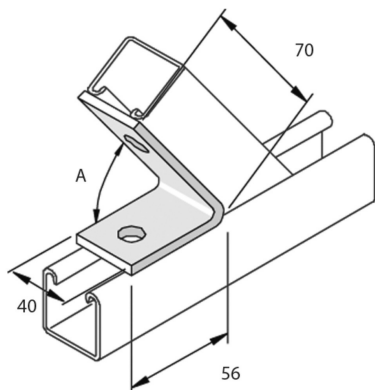


# P2108

## Verbindingsstuk geplooid 120° 2D14



Stand. Uitv.

Hot-Dip

| HD | Artikel      | ↕<br>mm | ↔<br>mm | →  ←<br>mm | ↔<br>mm | kg/stk | 📦  | Stock | Eenh. |
|----|--------------|---------|---------|------------|---------|--------|----|-------|-------|
| -  | <b>P2108</b> |         |         |            |         | 0,188  | 20 |       | STK   |

A = 60°

Te bestellen per volle verpakking.

Afkorting:

- HG = Hot-Dip Gegalvaniseerd